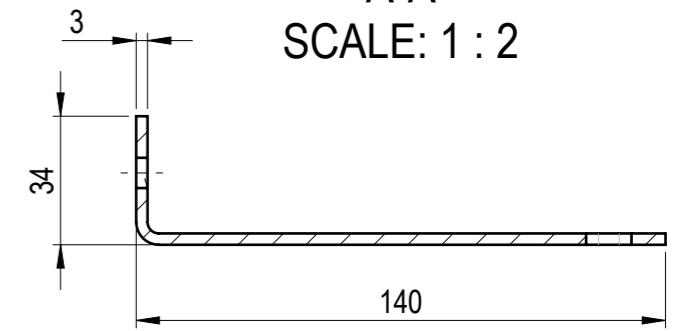
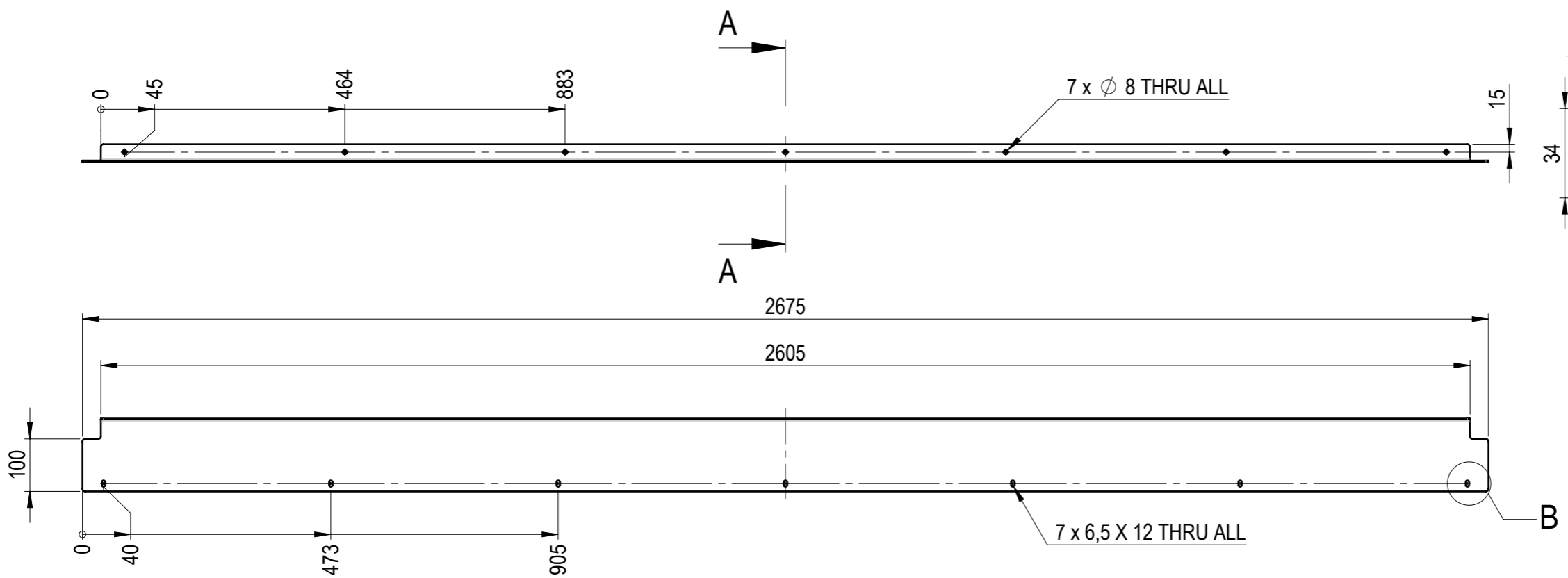
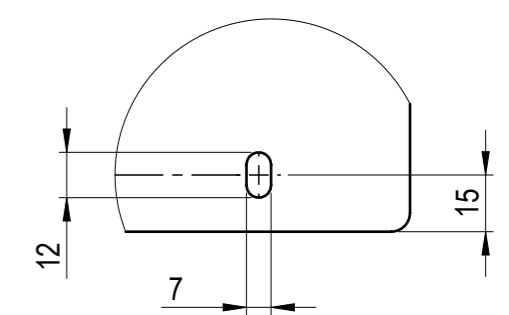


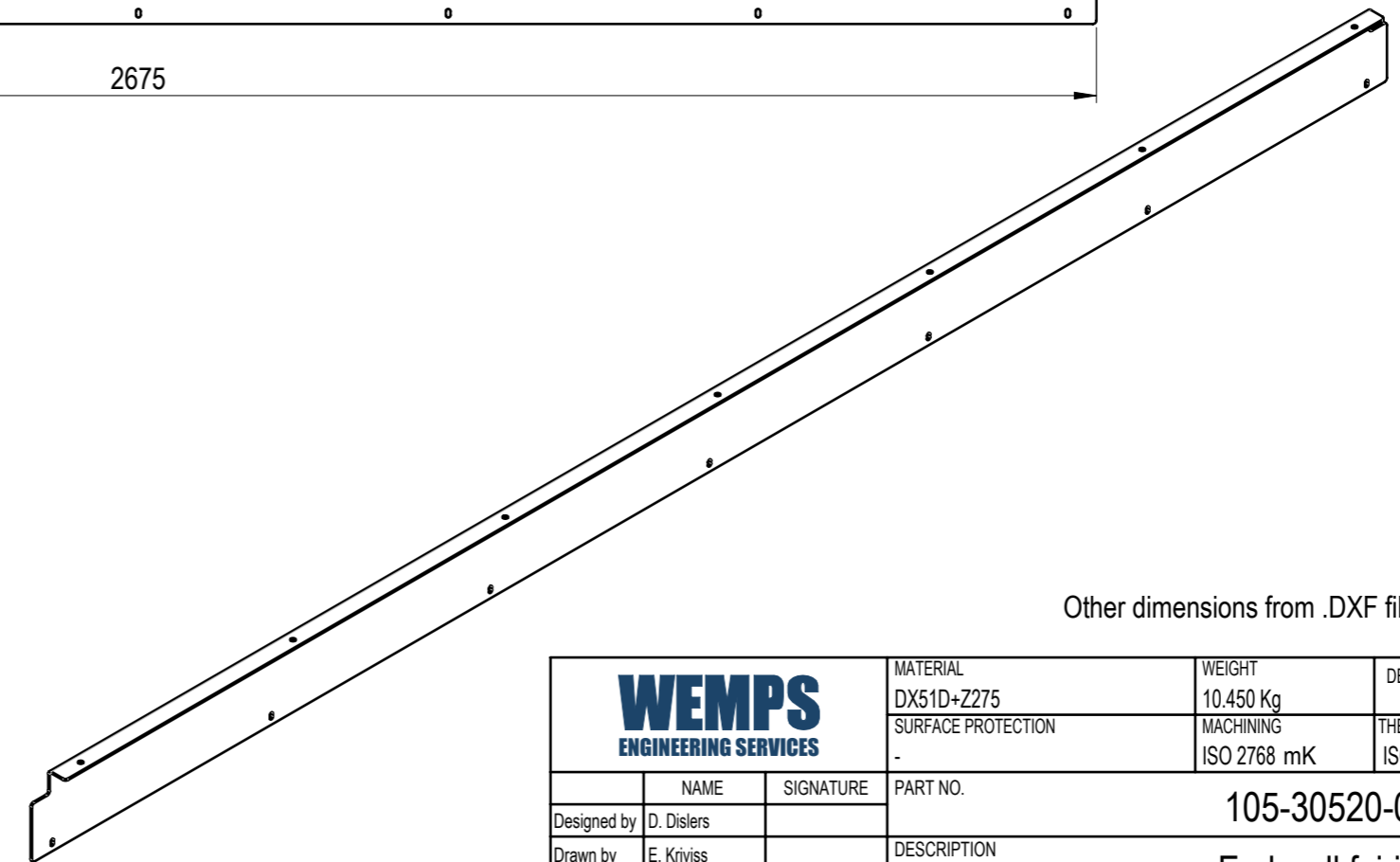
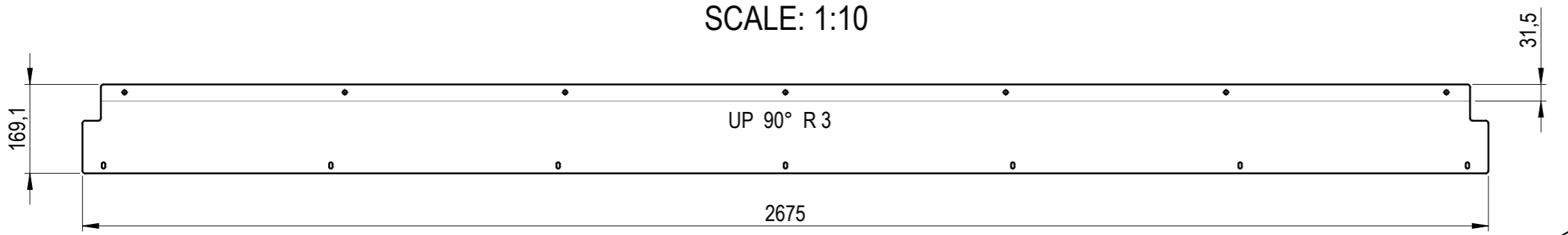
A-A
SCALE: 1 : 2



B
SCALE: 1 : 2



Flat Pattern view
SCALE: 1:10



Other dimensions from .DXF file.

SHEET METAL INFORMATION	
Length, mm	2675
Width, mm	169.1
Thickness, mm	3
Inside Bend Radius, mm	3
K-Factor	0.5
No. of Bends	1

	MATERIAL	DX51D+Z275	WEIGHT	10.450 Kg	DEBURR AND BREAK SHARP EDGES	REVISION	DATE		
	SURFACE PROTECTION	-	MACHINING	ISO 2768 mK	THERMAL CUTTING	WELDING	SCALE	FORMAT	
	NAME	SIGNATURE	PART NO.	105-30520-06					
Designed by	D. Dislers		DESCRIPTION	End wall fairing				SHEET 1/1	
Drawn by	E. Kriviss								
Technical ref.									